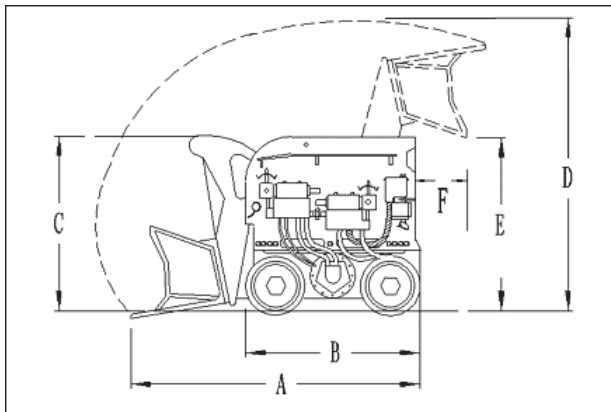




TRIDENT S.A.

EIMCO 12B ROCKERSHOVEL



| | | |
|---|-----------------------|-------------------|
| A | OVERALL LENGTH | 1910MM |
| B | BODY LENGTH | 1080MM |
| C | MACHINE HEIGHT | 1240MM |
| D | OVERALL HEIGHT | 1970MM |
| E | DISCHARGE HEIGHT | 1240MM |
| F | DISCHARGE LENGTH | 450MM |
| | MACHINE WIDTH | 670MM |
| | WIDTH WITH STEP PLATE | 920MM |
| | CLEAN UP WIDTH | 1880MM |
| | TRACK GAUGE | 457-915MM |
| | TOTAL MASS | 1950KG |
| | BUCKET CAPACITY | 0.13 cu met |
| | LOADING CYCLE | 6 seconds |
| | MOTORS | 2*MOD 200 |
| | AIR CONSUMTION | 7.08 cu met/m/min |
| | AIR PRESSURE RANGE | 483-860Kpa |
| | AIR HOSE DIAMATER | 38-50mm |



goodman

**Eimco
Rocker Shovel**

www.tridentrsa.co.za



TRIDENT S.A.

goodman

PROVEN TOUGH
RELIABLE
DEDICATED
GLOBAL

Eimco
Rocker Shovel



Founded in 1969 Trident S.A. is the global manufacturer of the GOODMAN range of locomotives and the EIMCO range of ROCKERSHOVELS (loaders/muckers).

Employing years of experience supplying the international mining industry and a state of the art manufacturing facility Trident S.A. manufactures, distributes and supports its products globally.

A dynamic spare parts team is on hand to ensure that all Customers are able to obtain parts for their units and an engineering team with decades of experience, is also available to give technical advice to our Customers.

The Trident product range is the best there is for deep level hard rock mining and over the years the product has evolved to include the latest technologies, innovations and safety features.

For a quotation or for advice on your requirements please contact us using the contact options listed below.



| | |
|----------------|--|
| Web Site | www.tridentsa.co.za |
| eMail | info@tridentsa.co.za |
| Phone | +27 11 902-6735 |
| Fax | +27 11 902-8988 |
| Address | 414 Peddie Street, Wadeville, Gauteng, South Africa |
| Postal Address | PO Box 7198 Albermarle, 1410 South Africa |

www.tridentsa.co.za