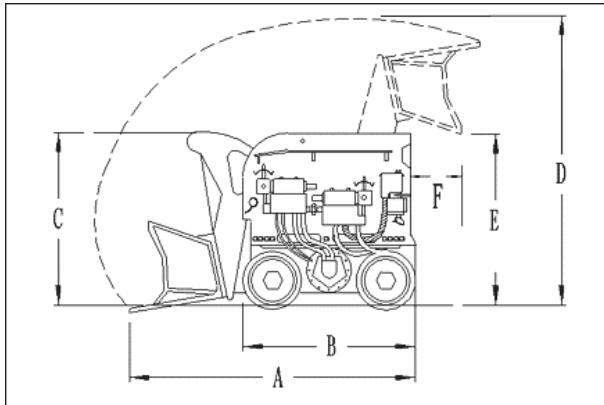
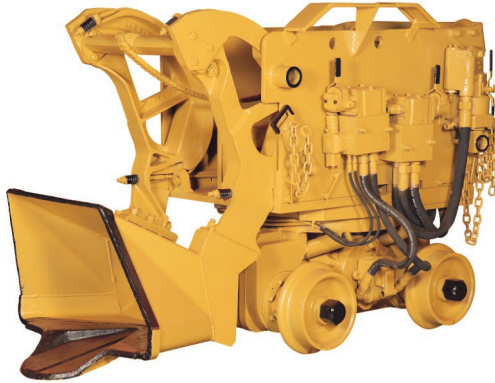




TRIDENT S.A.

EIMCO 215 ROCKERSHOVEL



A	OVERALL LENGTH	2280MM
B	BODY LENGTH	1310MM
C	MACHINE HEIGHT	1490MM
D	OVERALL HEIGHT	2350MM
E	DISCHARGE HEIGHT	1390MM
F	DISCHARGE LENGTH	440MM
	MACHINE WIDTH	970MM
	WIDTH WITH STEP PLATE	1100MM
	CLEAN UP WIDTH	2360MM
	TRACK GAUGE	610-915MM
	TOTAL MASS	3275KG
	BUCKET CAPACITY	0.3 cu met
	LOADING CYCLE	7 seconds
	LOADING CAPACITY	1.4 cu met/min
	MOTORS	2*MOD 201
	AIR CONSUMTION	17 cu met/min
	AIR PRESSURE RANGE	483-860Kpa
	AIR HOSE DIAMATER	50mm



goodman

**Eimco
Rocker Shovel**

www.tridentsa.co.za



TRIDENT S.A.

goodman

PROVEN TOUGH
RELIABLE
DEDICATED
GLOBAL

Eimco
Rocker Shovel



Founded in 1969 Trident S.A. is the global manufacturer of the GOODMAN range of locomotives and the EIMCO range of ROCKERSHOVELS (loaders/muckers).

Employing years of experience supplying the international mining industry and a state of the art manufacturing facility Trident S.A. manufactures, distributes and supports its products globally.

A dynamic spare parts team is on hand to ensure that all Customers are able to obtain parts for their units and an engineering team with decades of experience, is also available to give technical advice to our Customers.

The Trident product range is the best there is for deep level hard rock mining and over the years the product has evolved to include the latest technologies, innovations and safety features.

For a quotation or for advice on your requirements please contact us using the contact options listed below.



Web Site	www.tridentsa.co.za
eMail	info@tridentsa.co.za
Phone	+27 11 902-6735
Fax	+27 11 902-8988
Address	414 Peddie Street, Wadeville, Gauteng, South Africa
Postal Address	PO Box 7198 Albermarle, 1410 South Africa

www.tridentsa.co.za