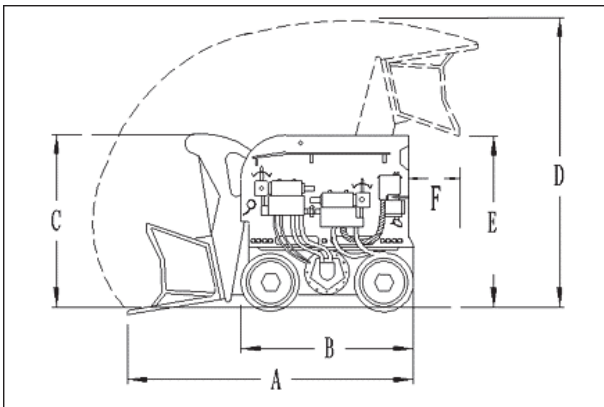




TRIDENT S.A.

EIMCO 630 ROCKERSHOVEL



A	OVERALL LENGTH	2845MM
B	BODY LENGTH	2000MM
C	MACHINE HEIGHT	1510MM
D	OVERALL HEIGHT	3225MM
E	DISCHARGE HEIGHT	1900MM
F	DISCHARGE LENGTH	305MM
	MACHINE WIDTH	1490MM
	WIDTH WITH STEP PLATE	1745MM
	CLEAN UP WIDTH	UNLIMITED
	TRACK GAUGE	1490MM
	TOTAL MASS	4695KG
	BUCKET CAPACITY	0.39 cu met
	LOADING CYCLE	8 seconds
	LOADING CAPACITY	2.0 cu met/min
	MOTORS	3*MOD 271
	AIR CONSUMTION	18 cu met/min
	AIR PRESSURE RANGE	520-860Kpa
	AIR HOSE DIAMATER	50mm



goodman

**Eimco
Rocker Shovel**

www.tridentsa.co.za



TRIDENT S.A.

goodman

PROVEN TOUGH
RELIABLE
DEDICATED
GLOBAL

Eimco
Rocker Shovel



Founded in 1969 Trident S.A. is the global manufacturer of the GOODMAN range of locomotives and the EIMCO range of ROCKERSHOVELS (loaders/muckers).

Employing years of experience supplying the international mining industry and a state of the art manufacturing facility Trident S.A. manufactures, distributes and supports its products globally.

A dynamic spare parts team is on hand to ensure that all Customers are able to obtain parts for their units and an engineering team with decades of experience, is also available to give technical advice to our Customers.

The Trident product range is the best there is for deep level hard rock mining and over the years the product has evolved to include the latest technologies, innovations and safety features.

For a quotation or for advice on your requirements please contact us using the contact options listed below.



Web Site	www.tridentsa.co.za
eMail	info@tridentsa.co.za
Phone	+27 11 902-6735
Fax	+27 11 902-8988
Address	414 Peddie Street, Wadeville, Gauteng, South Africa
Postal Address	PO Box 7198 Albermarle, 1410 South Africa

www.tridentsa.co.za